



Type(s)
Project
Date
Notes

GENERAL INFORMATION

The HQ-100 produces beautifully translucent theatrical haze for performance spaces ranging from small theatres to large scale concert and arena shows. It features continuous output of haze (if desired), and is fully adjustable for light to heavy atmospheric coverage. A unique High Output mode allows for rapid hazing of any venue without timing cues or waiting for full haze coverage, and the HQ-100's built-in blower provides broad and even haze particulate dispersion.

Control is facilitated with either local control via the HQ-100's full color touch display, wired DMX, or through multi-verse wireless control. A tank fluid indicator light allows the user to easily identify fluid level of the HQ-100 Stage formula. With a heavy duty compressor and rugged construction, the unit is built to withstand the most rigorous traveling productions and the test of time.

Product Features

- Easily adjust continuous haze output from light to heavy
- High Output mode to quickly build haze base
- Built-in blower for broad and even dispersion
- Local control via full color touch display
- Multi-verse wireless control
- Built road tough
- Tank light to easily identify fluid level

Applications

- Theatres
- Arenas
- House of Worship
- Touring
- Concert Venues

ORDERING INFORMATION

Model	Description
1501A1001	HQ-100 Performance Hazer
1501A1501	High End Systems HQ-100 Haze Fluid, 5 liters

Note: Product includes one (1) fixture power cord, NEMA 5-15 to powerCON® TRUE1® input, and a yoke for mounting from a hung position. Fluid must be purchased separately.

Accessories

Model	Description
2560B7004	Fixture Power Cord upgrade, 5-20 Edison to powerCON TRUE1, 20A
2560B7005	Fixture Power Cord upgrade, Stage Pin to powerCON TRUE1, 20A
2560B7006	Fixture Power Cord upgrade, L6-20 to powerCON TRUE1, 20A
2560B7007	Fixture Power Cord upgrade, L5-20 to powerCON TRUE1, 20A
67040007	MegaClaw™
55040014	Cheeseborough 2" Alloy 1/2 Coupler Truss Clamp
67040010	Mini-Claw™



PRODUCT SPECIFICATIONS

Performance

Operating time for 5L (minimum/maximum)	16.6/165 hours
Operating Modes	Variable continuous or High Output mode for high output non-continuous haze
Ready Time	3 minutes

Control

Input Method	DMX (5-pin) or Ethernet
Wireless	City Theatrical Multiverse®
Protocols	DMX via RS-485
Modes (Footprint)	One (3)
RDM Functions	No
UI Type	Full color touchscreen
Local Control	Yes

Electrical

Voltage Range	100–120 V 50/60 Hz
Input Method	powerCON TRUE1
Wattage (Max)	800 W
Current (Max)	6.55 A @ 120 V

Thermal

Ambient Operating Temp	-5–50°C (23–122°F)
Fan Mode	Exhaust fan with variable control via DMX or local UI

Physical

Materials	Steel and aluminum frame
Color Options	Black
Exhaust Angles	Adjustable exhaust louvre from 0–56°
Mounting Options	Hanging or resting on a surface. Must remain parallel to ground
IP Rating	IP20
Weight	21.2 kg (46.7 lb) HQ-100 with full fluid tank
Included Accessories	-powerCON TRUE1 to NEMA 5-15 plug -Hanging yoke and T-handle bolts -Empty 5 liter fluid tank with tank filter cap and quick disconnect fluid hose

Warranty

Fixture Warranty	Two (2) year
Warranty Details	highend.com/warranty

Regulatory

Regulatory Standards	Listed to UL 499 Certified to CSA STD. 64
CE compliance declared to these standards	Safety: EMC: EN60335-1
Actors Equity	The HQ-100 with HQ-100 Haze Fluid is approved for use by the Actors Equity Association

Product Dimensions

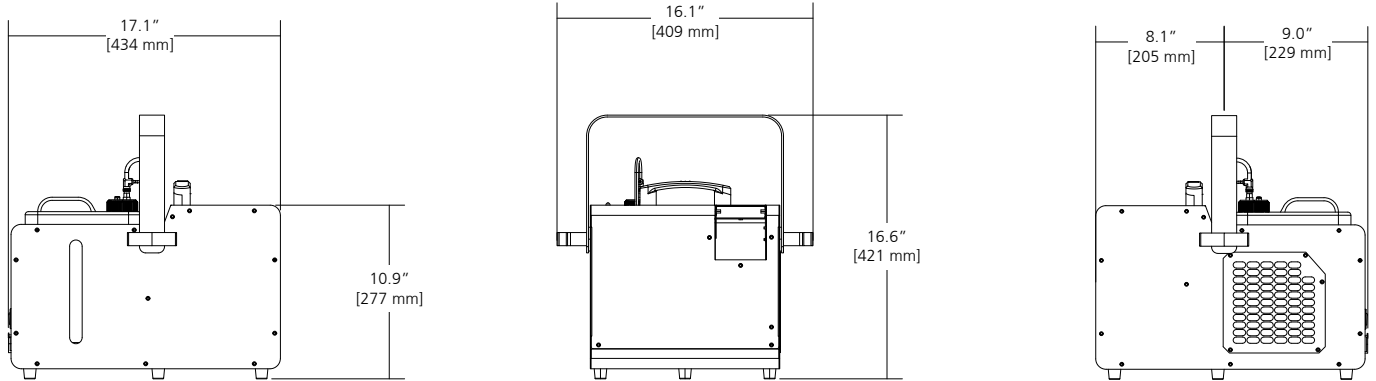
Model	Height		Width		Depth	
	in	mm	in	mm	in	mm
HQ-100*	13.9	354	11.9	302	16.9	430
HQ-100 in packaging	17	432	17	432	21	534
Haze Fluid, 5L	10.5	267	8	204	6	153

*Does not include yoke

Product Weight

Model	Weight		Shipping weight	
	lb	kg	lb	kg
HQ-100 with no Fluid	34.8	15.8	43.0	19.5
Haze Fluid, 5L	11.9	5.4	12.5	5.7

HQ-100



HQ-100 Power Table

VAC	Amps	Hz	Watts	VA	PF
100	5.40	50	536	540	0.99
120	6.55	60	782	785	0.99



Scan to reorder haze fluid.



Corporate Headquarters • Middleton, WI USA
Global Offices • London, UK • Rome, IT • Holzkirchen, DE • Paris, FR • Hong Kong • Dubai, UAE • Singapore • New York, NY • Orlando, FL • Los Angeles, CA
 Copyright©2021 ETC. All Rights Reserved. All product information and specifications subject to change. Rev A 2021-01
 Trademark and patent info: etconnect.com/tp

etconnect.com