

# OBSCIDIAN™

CONTROL SYSTEMS



## NX4 Installation Guide

©2019 **OBSDIAN CONTROL SYSTEMS** all rights reserved. Information, specifications, diagrams, images, and instructions herein are subject to change without notice. Obsidian Control Systems logo and identifying product names and numbers herein are trademarks of ADJ PRODUCTS LLC. Copyright protection claimed includes all forms and matters of copyrightable materials and information now allowed by statutory or judicial law or hereinafter granted. Product names used in this document may be trademarks or registered trademarks of their respective companies and are hereby acknowledged. All non-ADJ brands and product names are trademarks or registered trademarks of their respective companies.

**OBSDIAN CONTROL SYSTEMS** and all affiliated companies hereby disclaim any and all liabilities for property, equipment, building, and electrical damages, injuries to any persons, and direct or indirect economic loss associated with the use or reliance of any information contained within this document, and/or as a result of the improper, unsafe, insufficient and negligent assembly, installation, rigging, and operation of this product.

**OBSDIAN CONTROL SYSTEMS B.V.**

Junostraat 2 | 6468 EW Kerkrade, The Netherlands  
+31 45 546 85 66

**FCC STATEMENT**

This device complies with Part 15 of the FCC Rules. Operation is subject to the following two conditions: (1) this device may not cause harmful interference, and (2) this device must accept any interference received, including interference that may cause undesired operation.

**FCC RADIO FREQUENCY INTERFERENCE WARNINGS & INSTRUCTIONS**

This product has been tested and found to comply with the limits as per Part 15 of the FCC Rules. These limits are designed to provide reasonable protection against harmful interference in a residential installation. This device uses and can radiate radio frequency energy and, if not installed and used in accordance with the included instructions, may cause harmful interference to radio communications. However, there is no guarantee that interference will not occur in a particular installation. If this device does cause harmful interference to radio or television reception, which can be determined by turning the device off and on, the user is encouraged to try to correct the interference by one or more of the following methods:

- Reorient or relocate the device.
- Increase the separation between the device and the receiver.
- Connect the device to an electrical outlet on a circuit different from which the radio receiver is connected.
- Consult the dealer or an experienced radio/TV technician for help.

**Energy Saving Matters (EuP 2009/125/EC)**

Saving electric energy is a key to help protecting the environment. Please turn off all electrical products when they are not in use. To avoid power consumption in idle mode, disconnect all electrical equipment from power when not in use. Thank you!

Document Version: An updated version of this document may be available online. Please check [www.obsidiancontrol.com](http://www.obsidiancontrol.com) for the latest revision/update of this document before beginning installation and use.

Date	Document Version	Notes
08/28/19	1	Initial release

# CONTENTS

GENERAL INFORMATION	4
LIMITED WARRANTY	5
SAFETY GUIDELINES	6
OVERVIEW	7
SOFTWARE	7
CONNECTIONS	8
FUSE REPLACEMENT	11
MAINTENANCE	13
SPECIFICATIONS	14
DIMENSIONS	15

# GENERAL INFORMATION

## INTRODUCTION

Please read and understand the instructions in this manual carefully and thoroughly before attempting to operate this device. These instructions contain important safety and use information.

## UNPACKING

Every device has been thoroughly tested and has been shipped in perfect operating condition. Carefully check the shipping carton for damage that may have occurred during shipping. If the carton is damaged, carefully inspect the device for damage, and be sure all accessories necessary to install and operate the device have arrived intact. In the event damage has been found or parts are missing, please contact our customer support team for further instructions. Please do not return this device to your dealer without first contacting customer support. Please do not discard the shipping carton in the trash. Please recycle whenever possible.

## CUSTOMER SUPPORT

Contact your local Obsidian Controls Systems dealer or distributor for any product related service and support needs. Also visit [forum.obsidiancontrol.com](http://forum.obsidiancontrol.com) with questions, comments or suggestions.

OBSIDIAN CONTROL SERVICE EUROPE - Monday - Friday 08:30 to 17:00 CET  
+31 45 546 85 63 | [support@obsidiancontrol.com](mailto:support@obsidiancontrol.com)

OBSIDIAN CONTROL SERVICE USA - Monday - Friday 08:30 to 17:00 PST  
(866) 245-6726 | [support@obsidiancontrol.com](mailto:support@obsidiancontrol.com)

# LIMITED WARRANTY (USA ONLY)

1. Obsidian Control Systems hereby warrants, to the original purchaser, Obsidian Control Systems products to be free of manufacturing defects in material and workmanship for a period of two years (730 days).
2. For warranty service, send the product only to the Obsidian Control Systems service center. All shipping charges must be pre-paid. If the requested repairs or service (including parts replacement) are within the terms of this warranty, Obsidian Control Systems will pay return shipping charges only to a designated point within the United States. If any product is sent, it must be shipped in its original package and packaging material. No accessories should be shipped with the product. If any accessories are shipped with the product, Obsidian Control Systems shall have no liability what so ever for loss and/or or damage to any such accessories, nor for the safe return thereof.
3. This warranty is void if the product serial number and/or labels are altered or removed; if the product is modified in any manner which Obsidian Control Systems concludes, after inspection, affects the reliability of the product; if the product has been repaired or serviced by anyone other than the Obsidian Control Systems factory unless prior written authorization was issued to purchaser by Obsidian Control Systems; if the product is damaged because not properly maintained as set forth in the product instructions, guidelines and/or user manual.
4. This is not a service contract, and this warranty does not include any maintenance, cleaning or periodic check-up. During the periods as specified above, Obsidian Control Systems will replace defective parts at its expense, and will absorb all expenses for warranty service and repair labor by reason of defects in material or workmanship. The sole responsibility of Obsidian Control Systems under this warranty shall be limited to the repair of the product, or replacement thereof, including parts, at the sole discretion of Obsidian Control Systems. All products covered by this warranty were manufactured after January 1, 1990, and bare identifying marks to that effect.
5. Obsidian Control Systems reserves the right to make changes in design and/or performance improvements upon its products without any obligation to include these changes in any products theretofore manufactured.
6. No warranty, whether expressed or implied, is given or made with respect to any accessory supplied with the products described above. Except to the extent prohibited by applicable law, all implied warranties made by Obsidian Control Systems in connection with this product, including warranties of merchantability or fitness, are limited in duration to the warranty periods set forth above. And no warranties, whether expressed or implied, including warranties of merchantability or fitness, shall apply to this product after said periods have expired. The consumer's and/or dealer's sole remedy shall be such repair or replacement as is expressly provided above; and under no circumstances shall Obsidian Control Systems be liable for any loss and/or damage, direct and/or consequential, arising out of the use of, and/or the inability to use, this product.
7. This warranty is the only written warranty applicable to Obsidian Control Systems products and supersedes all prior warranties and written descriptions of warranty terms and conditions heretofore published.
8. **WARRANTY RETURNS:** All returned service items, whether under warranty or not, must be freight pre-paid and accompany a return authorization (R.A.) number. The R.A. number must be clearly written on the outside of the return package. A brief description of the problem as well as the R.A. number must also be written down on a piece of paper and included in the shipping container. If the unit is under warranty, you must provide a copy of your proof of purchase invoice. Items returned without a R.A. number clearly marked on the outside of the package will be refused and returned at customer's expense. You may obtain a R.A. number by contacting customer support.

# SAFETY GUIDELINES

This device is a sophisticated piece of electronic equipment. To guarantee a smooth operation, it is important to follow all instructions and guidelines in this manual. OBSIDIAN CONTROL SYSTEMS is not responsible for injury and/or damages resulting from the misuse of this device due to the disregard of the information printed in this manual. Only the original included parts and/or accessories for this device should be used. Any modifications to the device, included and/or accessories will void the original manufactures warranty and increase the risk of damage and/or personal injury.



PROTECTION CLASS 1 – DEVICE MUST BE PROPERLY GROUNDED

DO NOT ATTEMPT TO USE THIS DEVICE WITHOUT BEING FULLY TRAINED ON HOW TO USE IT. ANY DAMAGES OR REPAIRS TO THIS DEVICE OR ANY LIGHTING FIXTURES CONTROLLED BY THIS DEVICE RESULTING FROM IMPROPER USE, AND/OR THE DISREGARD OF THE SAFETY AND OPERATION GUIDELINES IN THIS DOCUMENT VOIDS THE OBSIDIAN CONTROL SYSTEMS WARRANTY, AND ARE NOT SUBJECT TO ANY WARRANTY CLAIMS AND/OR REPAIRS, AND MAY ALSO VOID THE WARRANTY FOR ANY NON-OBSIDIAN CONTROL SYSTEMS DEVICES. KEEP FLAMMABLE MATERIALS AWAY FROM DEVICE.



DRY LOCATIONS USE ONLY!

DO NOT EXPOSE DEVICE TO RAIN, MOISTURE, AND/OR SEVERE ENVIRONMENTS!  
DO NOT SPILL WATER AND/OR LIQUIDS ON OR INTO THE DEVICE!



**AVOID** brute force handling when transporting or operating.

**DO NOT** expose any part of the device to open flame or smoke. Keep device away from heat sources such as radiators, heat registers, stoves, or other appliances (including amplifiers) that produce heat.

**DO NOT** use device in extreme and/or severe environments.

Replace fuses with ones of the same type and rating only. Never attempt to bypass a fuse. Unit provided with a single fuse in Line side.

**DO NOT** operate device if power cord is frayed, crimped, damaged and/or if any of the power cord connectors are damaged, and does not insert into the device securely with ease. NEVER force a power cord connector into device. If the power cord or any of its connectors are damaged, replace it immediately with a new one of similar power rating.

Strictly use a source of AC power that complies with local building and electrical codes and has both overload and ground-fault protection. Use only the provided AC power supply and power cords and the correct connector for the country of operation. Use of the factory provided power cable is mandatory for operation in the US and Canada.

Allow free unobstructed airflow to the bottom and back of the product. Do not block the ventilation slots.

Operate the console only on a stable and solid surface.

**DO NOT** use the product if the ambient temperature exceeds 40°C (104° F)

Transport the product only in suitable packaging or a custom fitted road case. Transportation damage is not covered under warranty.

Protect the internal touch screen from sharp objects and operate the screen using only a finger.

**CAUTION:** Risk of explosion if CMOS battery is replaced by an incorrect type. Dispose of used batteries according to local environmental regulations.

**CAUTION:** Do not expose CMOS battery to excessive heat such as sun or fire.

# OVERVIEW

The NX4 is a comprehensive feature packed control surface. With a well-arranged combination of motorized and manual faders, as well as an array of playback buttons, the NX4 offers 44 total playbacks in a compact yet extremely powerful package. As a member of the innovative ONYX platform from Obsidian Control Systems, the NX4 is feature rich and never restricted in its capabilities. NX4 includes a high brightness Full HD multi touch screen, 8 assignable parameter encoders, dedicated intensity encoder, an assistive mini touch screen, full keypad and command section, and a dedicated grand master.

Two independent playback section offer instant access. The main playback with 10 motorized faders, plus 10 play-pairs allows for quick page changes while the sub playback with 12 faders and 12 button playbacks allow the user to have important cues always at their fingertip.

Utilizing the latest in industrial components, the NX4 contains a powerful new Intel Hexa-Core processor, high speed NVMe SSD drive, and 16GB of DDR4 RAM. Fast boot times, instant operation, and the ability to process 64 Universes right inside the console without the need for costly external processing networks, result in unprecedented power in this form factor. The NX4 is ergonomic with its motorized playback faders, short depth, easy screen access, full ONYX command and keypad section, and the bright adjustable HD touch screen. It is always ready to run the largest shows and events at a moment's notice.

With four DMX ports, Timecode, Midi and dual Gigabit ports for up to 64 Universes of Art-Net, sACN plus the ONYX X-Net protocol, the NX4 has all the connectivity and power the ever-increasing sizes of shows demand. Two additional 4K touch monitors are supported for even more direct access at any time.

## KEY FEATURES

- Adjustable 15.6" Full HD multi touch screen, 2x external 4K Touch Displays
- 44 playbacks (10 Motorized, 12 Sub, 22 Playback Executors)
- 9 Encoders, Keypad, Trackball, 12 Function keys, assistive 3.5" touchscreen
- 64 Universe integrated processing, 4 DMX ports onboard
- Network, DMX, Timecode and Midi Connectivity

## SOFTWARE

The software for NX4 is available from the support website [support.obsidiancontrol.com](https://support.obsidiancontrol.com).

You must update your controller to the latest version of ONYX before using it for the first time, and periodically check the website for updates.

# POWER CONNECTIONS



The Obsidian Control Systems NX4 is rated 100-240V 50/60Hz and accepts AC mains power over a range of 90-264V 50/60Hz. Do not connect it to power outside this range. Damage resulting from incorrect connection is not covered under warranty.

North America: A cable with a NEMA 15-5P plug is provided for use with the NX4 in the USA and Canada. This approved cable must be used in North America.

Rest of the world: The provided True1 cable is not fitted with a country-specific plug. Install only a plug that meets local and or national electrical codes and is suitable for the country's specific requirements.



**WARNING!** Single fuse in the Line side. The NX4 is protected by a single 2A slow blow mains fuse in a fuse holder on the inside of the controller on the PSU cover.

A 3-prong grounded-type (earthed type) plug must be installed following the plug manufacturer's instructions. The table below shows some possible pin identification schemes; if the pins are not clearly identified, or if you have any doubts about proper installation, consult a qualified electrician.

Wire Color (Standard EU Code)	Pin	Symbol
brown	live	L
blue	neutral	N
yellow/green	ground	

To apply power to the product:

1. Set the power switch to the OFF position.
2. Insert the provided power cable into the True1 connector of the power supply unit and connect the cable to a properly protected and grounded outlet.
3. Turn the console on by toggling the power switch to ON.



# CONNECTIONS: FRONT & SIDE (R) PANELS



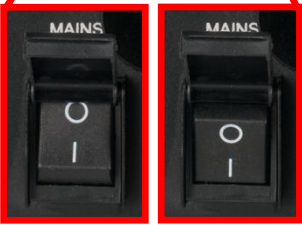
The surface panel offers a USB device socket in the top left-hand corner. This connector is ideally suited for USB memory sticks or a USB desk lamp.

On the right side of the console is one additional USB device socket for additional peripherals like a keyboard or mouse.

Use the blue (USB3) USB connectors for boot operations (e.g. installation of an operating system).

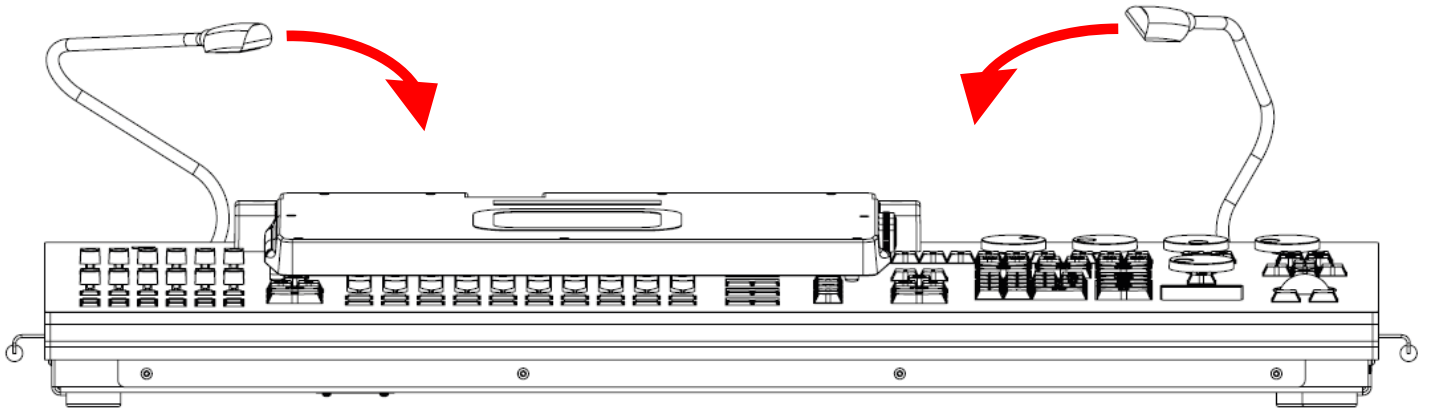
Do not exceed a current of 500mA on a USB device port.

# CONNECTIONS: REAR PANEL

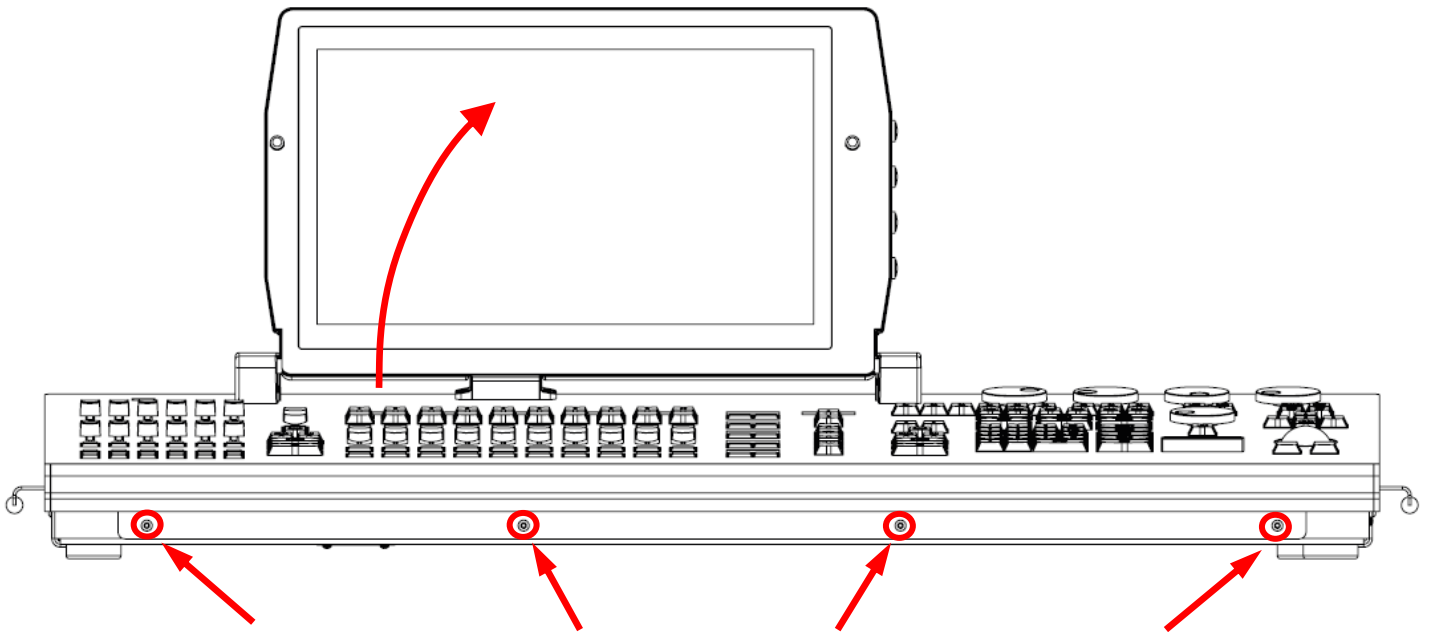


- 4 x DMX / RDM Universe In/Out: 5-pin locking XLR
- External Display: 2x DisplayPort (up to 4k)
- External Display Power: 12V, 2x Molex 8pin
- Network: 2x Gigabit EtherCon for Art-Net, sACN and ONYXX-Net
- Storage and Peripherals: 3x USB 3.0, 3x USB 2.0
- Audio Out, Mic In: 2x 6.3mm Jack
- MIDI in/out/thru (MIDI show control, MIDI notes, MIDItimecode): 5pin DIN
- SMPTE Timecode In/Out: 3-pin XLR
- Seetronic Power In
- Desk lamp: 2x RGB LED, integrated

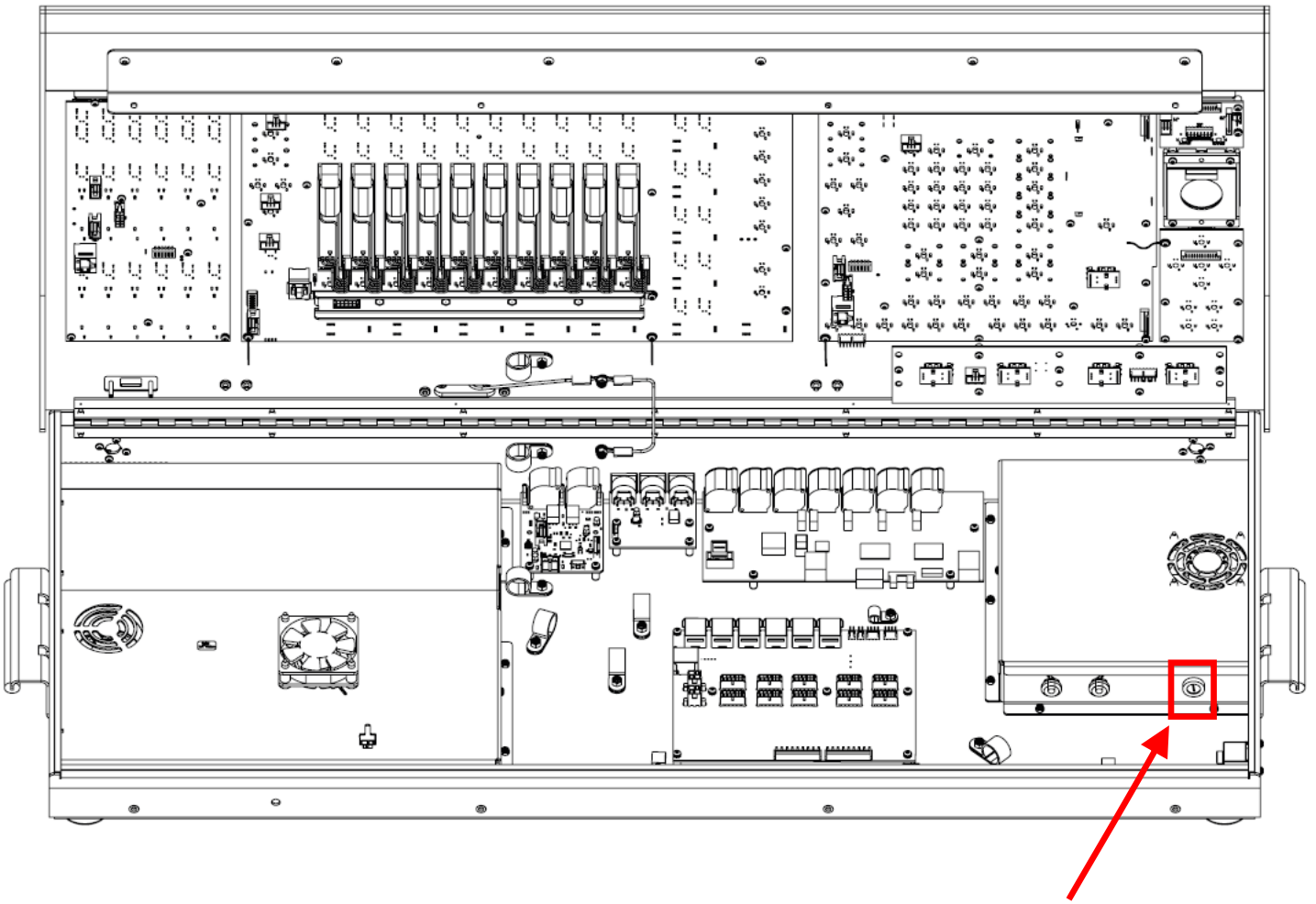
# FUSE REPLACEMENT



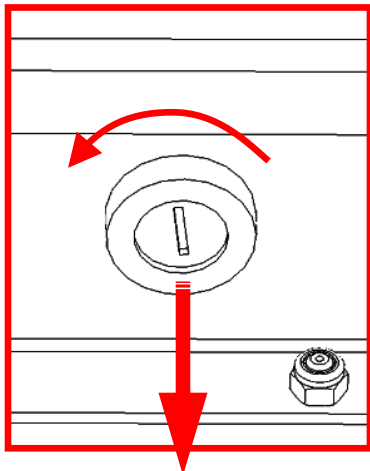
1. Fold the desk lights as if transporting, which is straight on the back of the controller.



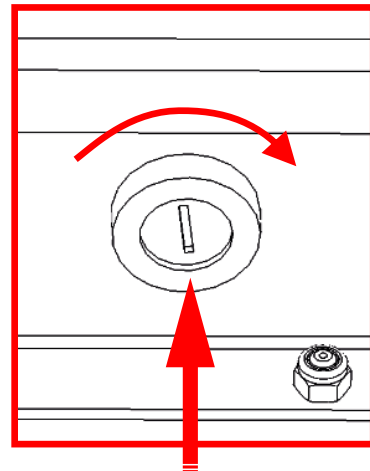
2. The open screen is used to hold the front panel in the open position. With a Torx T-20 screwdriver, unscrew the 4 screws below the handrest, and lift the front panel.



3. Using a 4mm flat screw-driver, open the fuse holder with a quarter clockwise turn to pull the fuse holder out of its socket. See compliance label at the bottom of the controller for replacement fuse size. To close the fuse holder, press the fuse holder back in the socket and turn a quarter turn clockwise until closed.



Open



Close

# MAINTENANCE

The Obsidian Control Systems NX4 is designed as a rugged, roadworthy device. The only required service is occasional cleaning. For other service related concerns, please contact your Obsidian Control Systems dealer, or visit [www.obsidiancontrol.com](http://www.obsidiancontrol.com).

Any service that is not described in this guide must be carried out by a trained and qualified Obsidian Control Systems technician.

As any computer, the NX4 requires periodic cleaning. The schedule relies on the environment in which the controller is operated. An Obsidian Control Systems technician can provide recommendations if necessary.

Never spray cleaner directly onto the console surface; always spray into a lint-free cloth and wipe it clean. Consider using cleaning products designed for cellphone and tablet devices for cleaning a lighting console.



Important! Excessive dust, dirt, smoke, fluid build-up, and other materials can degrade the performance of the NX4 controller, causing overheating and damage to the unit that is not covered by the warranty.

Fuse Replacement:



Single fuse in the Line side; the NX4 is protected by a single 2A slow blow mains fuse in a fuse holder on the inside of the controller on the PSU cover.

Disconnect the product from AC mains power before replacing the fuse as parts of the product may remain live even if one of the two mains fuses has blown.

# SPECIFICATIONS

## Control Surface

- 10x 60 mm motorized playback faders, each with 4x function-assignable buttons, digital backlit labels
- 12x 45mm Sub Playback Fader with Flash keys
- 22x Playback Executors
- 12x customizable multi-function keys
- Playback Select button
- 2x Master Go section with Go, Pause, Snap and Release
- 4x digital rotary encoders with push function and statusLED for fixture parameter control
- 4x screen mounted digital rotary encoders with push
- 1x digital intensity Encoder with push
- 3.5" RGB touchscreen for parameter groups, effectparameters, fanning and global timings
- 1x 60mm Grandmaster with Flash/DBO
- Blind/HighLight/Last/Next buttons
- Full numerical keypad and command keys
- Industrial Trackball

## Hardware

- Industrial 15.6" TFT 16:9 touchscreen (1920x1080px)
- 250 GB NVMe M.2 storage drive
- Industrial motherboard with Intel i5 Hexa-Core CPU
- Quiet thermal design using advanced copper heat pipe coolers
- 16 GB DDR4 RAM
- Integrated graphics processor
- Windows 10 IoT Embedded Operating System
- OS installation by USB 3.0 storage device
- Supports Windows USB touchscreens

## Connections

- 4 x DMX / RDM Universe In/Out: 5-pin locking XLR
- External Display: 2x DisplayPort (up to 4k)
- External Display Power: 12V, 2x Molex 8pin
- Network: 2x Gigabit EtherCon for Art-Net, sACN and ONYXX-Net
- Storage and Peripherals: 3x USB 3.0, 3x USB 2.0
- Audio Out, Mic In: 2x 6.3mm Jack
- MIDI in/out/thru (MIDI show control, MIDI notes, MIDItimecode): 5pin DIN
- SMPTE Timecode In/Out: 3-pin XLR
- Seetronic Power In
- Desk lamp: 2x RGB LED, integrated

## Physical

- Length: 16.9 in. (431mm)
- Width: 36.5 in. (928mm)
- Height: 5.8 in. (149mm)
- Weight: 36.1 lbs. (16.4kg)

## Electrical

- 100-240V nominal, 50/60 Hz, 140W

## Included Items

- 2x Integrated RGB Desk lamp
- Dust Cover
- 1.5 m power cable (EU or US version)



# DIMENSIONS

(Drawing not to scale)

