

PH-2 and PH-3

Dual-Sided Headsets with Flexible Dynamic Boom Mics

The PH-2 and PH-3 are dual-sided, medium-weight headsets with foam-filled cushions that offer a light feel with moderate isolation from ambient noise. The dynamic noise-canceling mic is easily positioned with a unique ball joint for continuous adjustability.

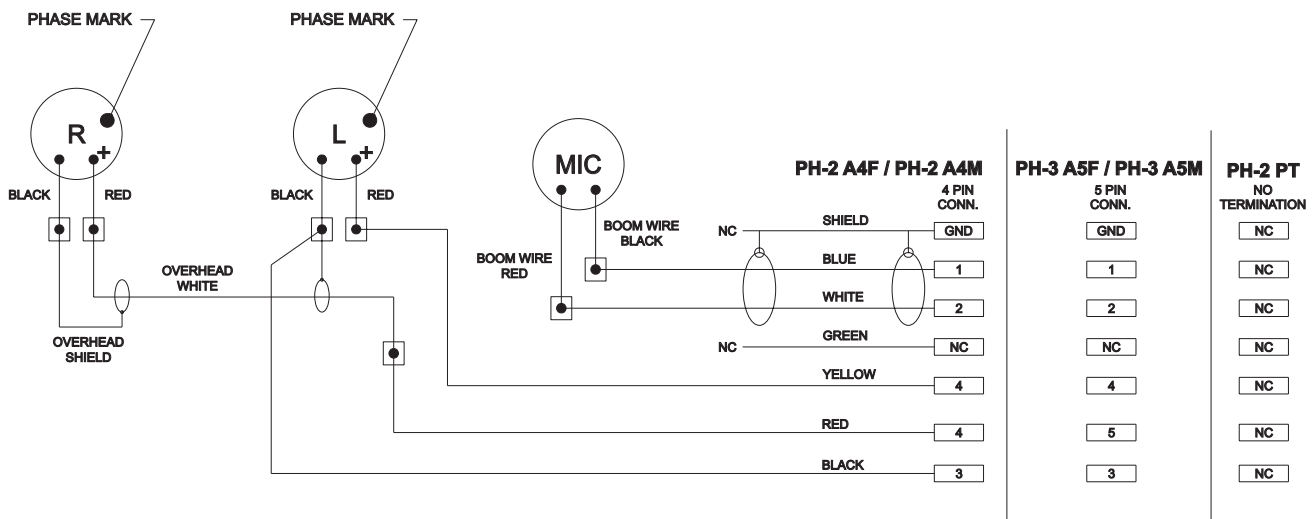
The PH-2 is available with 4-pin male or female XLR connectors, or pigtail termination. The PH-3 is available with 5-pin male or female XLR connectors.



Features

- The PH-2 & PH-3 headsets are medium-weight, dual-sided headsets with foam-filled cushions for the ultimate in day-long comfort.
- The PH-2 is a dual-sided mono headset.
- The PH-2 is available with 4-pin male or female XLR connectors, or pigtail termination.
- The PH-3 is a dual-sided stereo headset.
- The PH-3 is available with 5-pin male or female XLR connectors.

Wiring Diagram



Specifications

PH-2 Specifications

Connector Termination

PH-2 A4F: XLR 4-pin Female

PH-2 A4M: XLR 4-pin Male

PH-2 PT: Stripped Wire

Type

PH-2 A4F: Dual Sided Monaural

PH-2 A4M: Dual Sided Monaural

PH-2 PT: Dual Sided

Mic Type

Dynamic Noise-Canceling

Mic Sensitivity

-65dBV/Pa @ 1cm

Mic Frequency Range

200Hz–6kHz

Mic Impedance

150Ω

Speaker Sensitivity

95dB SPL @ 1kHz, 1mW

Speaker Frequency Range

100Hz–10kHz

Speaker Impedance

PH-2 A4F: 150Ω

PH-2 A4M: 150Ω

PH-2 PT: 300Ω per side

Weight

13 oz (368.54 g), not including cord

Cord Length

6.0 ft ±2 in (1.83 m ±5.08 cm)

PH-3 Specifications

Connector Termination

PH-3 A5F: XLR 5-pin Female

PH-3 A5M: XLR 5-pin Male

Type

PH-3 A5F: Dual Sided Stereo

PH-3 A5M: Dual Sided Stereo

Mic Type

Dynamic Noise-Canceling

Mic Sensitivity

-65dBV/Pa @ 1cm

Mic Frequency Range

200Hz–6kHz

Mic Impedance

150Ω

Speaker Sensitivity

95dB SPL @ 1kHz, 1mW

Speaker Frequency Range

100Hz–10kHz

Speaker Impedance

300Ω per side

Weight

13 oz (368.54 g), not including cord

Cord Length

6.0 ft ±2 in (1.83 m ±5.08 cm)

Order Information

PH-2 A4F • Dual-Sided Headset with Flexible Dynamic Boom Mic and A4F Connector

PH-2 A4M • Dual-Sided Headset with Flexible Dynamic Boom Mic and A4M Connector

PH-2 PT • Dual-Sided Headset with Flexible Dynamic Boom Mic, and Pigtail Termination

PH-3 A5F • Dual-Sided Headset with Flexible Dynamic Boom Mic and A5F Connector

PH-3 A5M • Dual-Sided Headset with Flexible Dynamic Boom Mic and A5M Connector

63801001 • Head Pad Assy

63444001 • SPP C3 Ear Cushion, Black, PH1/2/3, HD-3

35772000 • SPP Cover Cushion CC-1, PH1/2/3, HD-3

The specification information is preliminary and is subject to change without notification.
Brand names mentioned are the property of their respective companies.